

# eMTA+I

## eMTA for ISDN devices

- DOCSIS 2.0-compatible modem
- Accommodates up to 8 ISDN phones
- ISDN S0 interface for ISDN phones and PBXs
- Ethernet interface for PCs or routers



### Function

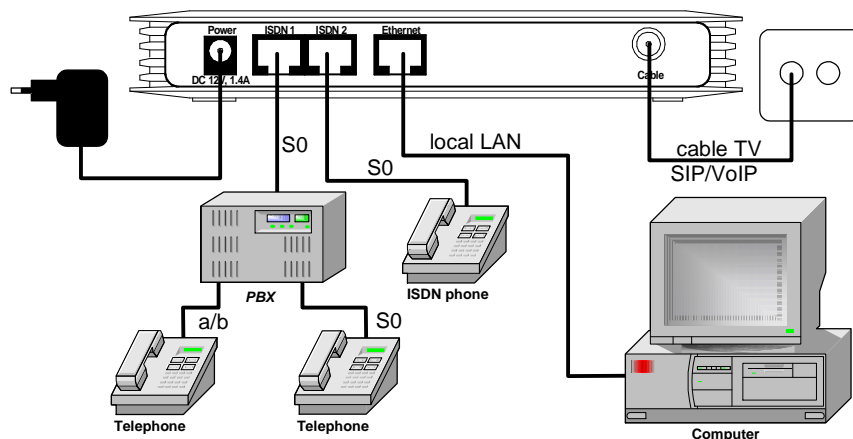
eMTA+I connects a LAN and ISDN terminal devices to a broadband cable network.

Its ISDN interface behaves like the ISDN interface of a NT1 or PABX. Up to 8 ISDN phones or an ISDN PBX can be connected to the ISDN interface, with the eMTA+I supplying power to up to 4 ISDN phones. Analog devices such as phones, G3 fax devices or analog answering machines connected via a PBX or an ISDN TA are also supported. VoIP communications via the broadband cable network are based on the SIP protocol.

The Ethernet connector of the eMTA+I lets a PC or router establish data connections via the broadband cable network, e.g. to the Internet.

### New implemented features

- Safe update even in case of power failure
- Power fail safe call forwarding storage
- Keypad support
- Date and time transfer from NTP server
- Numbering plan (optional)



## Technical specifications

<b>Cable TV interface</b>	
Connector	1 × F-type female, 75 ohms
Standard	DOCSIS / EuroDOCSIS 1.1/2.0
Receiver	Demodulation: 64QAM, 256QAM Bandwidth: 6 / MHz, Input frequency: 91 – 862 MHz Signal level: -15 dBmV to +15 dBmV
Receiver data rate	38 Mbps / 43 Mbps max.
Transmitter	Modulation: QPSK, 8QAM, 16QAM, 32QAM, 64QAM, 128QAM Bandwidth: 200 to 6400 kHz Frequency: 5 – 65 MHz Signal level: +8 dBmV to +58 dBmV
Transmitter data rate	10,24 Mbps max.
<b>LAN interface</b>	
Connector	1 × RJ45
Ethernet	Ethernet 802.11 10/100 BaseT, Auto MDX interface for PC or router
LAN protocol	TCP/UDP/IP
<b>ISDN interface</b>	
ISDN interface	1 x I.430 LT-S mode (S-bus, BRI) for up to 8 ISDN devices
Connector	2 × RJ45
D-channel protocol	DSS1 NT mode, multipoint, point-to-point
B channel	G.711 a-law (analog voice)
ISDN service facilities	CLIP, CLIR, MSN, DDI, CW, HOLD, ECT, 3PTY, CFU, CFB, CFNR, CD, MWI
Management	DHCP, TFTP, SNMP, http, Syslog
VoIP	SIP 2.0, RFC3261 Simultaneous telephony up to 2 calls G.168 echo cancelation 8 ms Voice codecs: G.711, (G.723, G.729 on request) T.38 Fax relay on request
LEDs	Power, downlink, uplink, online, Ethernet link, VoIP online, message waiting (MWI), line 1 and 2 (ISDN)
Voltage	External mains adapter Input: 100 – 240 VAC 50/60 Hz Output: 12 VDC, 1.4A
Current consumption	Idle : 6.5 W Maximum : 12.5 W
Dimensions	185 × 160 × 170 mm
Documentation	German, English
Regulatory approvals	CE

## “Cable – driven by Stollmann!”

### Stollmann Entwicklungs- und Vertriebs-GmbH

Mendelssohnstraße 15 D  
22761 Hamburg  
Germany

Phone: +49 (0)40 89 08 8-0  
Telefax: +49 (0)40 89 08 8-4 44  
E-mail: info@stollmann.de  
www.stollmann.de

