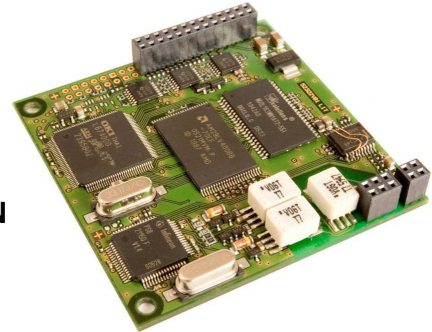


TA+HIX

ISDN terminal adapter for data and voice communications

- Serial data transfer via ISDN
- Voice communications using an analog port
- Data and voice communications possible
- DTMF (tone dialing) tones recognition and transmission for controlling terminal devices via ISDN



TA+HIX can transmit data and voice communications via ISDN. TA+HIX supports all popular data transfer protocols and features an analog four-wire interface for voice communications.

Function

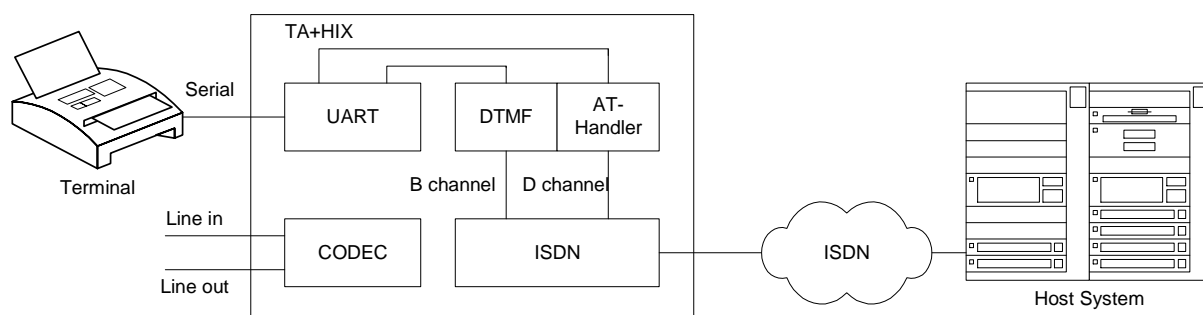
TA+HIX is a 56 × 66 mm module for integration. It features an ISDN S0 port, a TTL serial port, and an analog four-wire interface for voice communications. All these interfaces are available on a connector strip with a 2-mm matrix compatible with that of other 56 × 56 mm modules. This has the advantage that devices can be designed with several modules with different characteristics sharing a single module slot.

The serial interface and the analog interface can transmit data and speech via ISDN concurrently. Voice transmission follows the ISDN standard and is compatible with all telephones. Optional a connection to the IOM-2 interface is possible.

In certain applications, terminal devices are controlled using DTMF tones sent by the remote host via the ISDN B channel. TA+HIX recognizes DTMF signals on the B channel, converts them to digital data, and outputs them via the serial interface. This capability can be exploited, for example, for triggering an automatic callback or for activating an alarm. Similarly, the TA+HIX can convert serial data from the terminal device to DTMF tones and transmit them via ISDN.

All popular ISDN protocols for data communications are supported by the TA+HIX. This ensures compatibility with Stollmann's and other serial ISDN terminal adapters.

Interfaces can be configured either from the terminal device using AT commands or by remote control via ISDN.



Technical specifications

ISDN interface	S0 (BRI)/I.430
D-channel protocols	DSS1 (optional: National 1, 5ESS, JATE/INS64)
B-channel protocols	Byte-transparent, HDLC-transparent, PPP, MLPPP, V.110, X.75, V.120, T.70, T.90, X.25-B, X.31 D channel
Serial port	V.24/V.28 asynchronous, 300 bps up to 230 kbps
Dialing	AT commands, automatic dialing
Audio interface	Line in, line out, ~ 750 mV _{pp}
Configuration	AT commands Configuration data in non-volatile memory Flash PROM for software updates, either locally or via ISDN
Housing	Integrated module, 56 × 56 × 9 mm
Power supply	5/3.3 V from host device
Regulatory approvals	CE (Europe)

Integration and adaptation

At your request, Stollmann will be happy to modify the adapters to meet your specific requirements or to develop special versions that optimally fit your hardware. Just ask us!

“ISDN – driven by Stollmann!”

Stollmann Entwicklungs- und Vertriebs-GmbH

Mendelssohnstraße 15 D
22761 Hamburg
Germany

Phone: +49 (0)40 89 08 8-0
Telefax: +49 (0)40 89 08 8-4 44
E-mail: info@stollmann.de
www.stollmann.de

