

# SIPUA+

## VoIP Gateway Software Modules

- **Voice over IP gateway function**
- **ISDN and POTS interfacing**
- **VoIP protocol SIP**
- **RTP media stream handling**

### Basics

Stollmann offers the integration of Voice Over IP protocols and components for integration into your existing or future product. In the last years several Stollmann and customers products have been enhanced with a VoIP stack and drivers to adapt legacy existing terminal equipment to IP based infrastructures.

The central module incorporates standard interfaces, which have to be adapted or wrapped into your system. Interfacing of ISDN and POTS is ready to be integrated without further development. Both ISDN and POTS are capable to interface telephone devices and central office infrastructures.

The modules include complete SIP signalling for call control as well as the RTP media stream for voice transmission including software echo cancellation.

### Integration

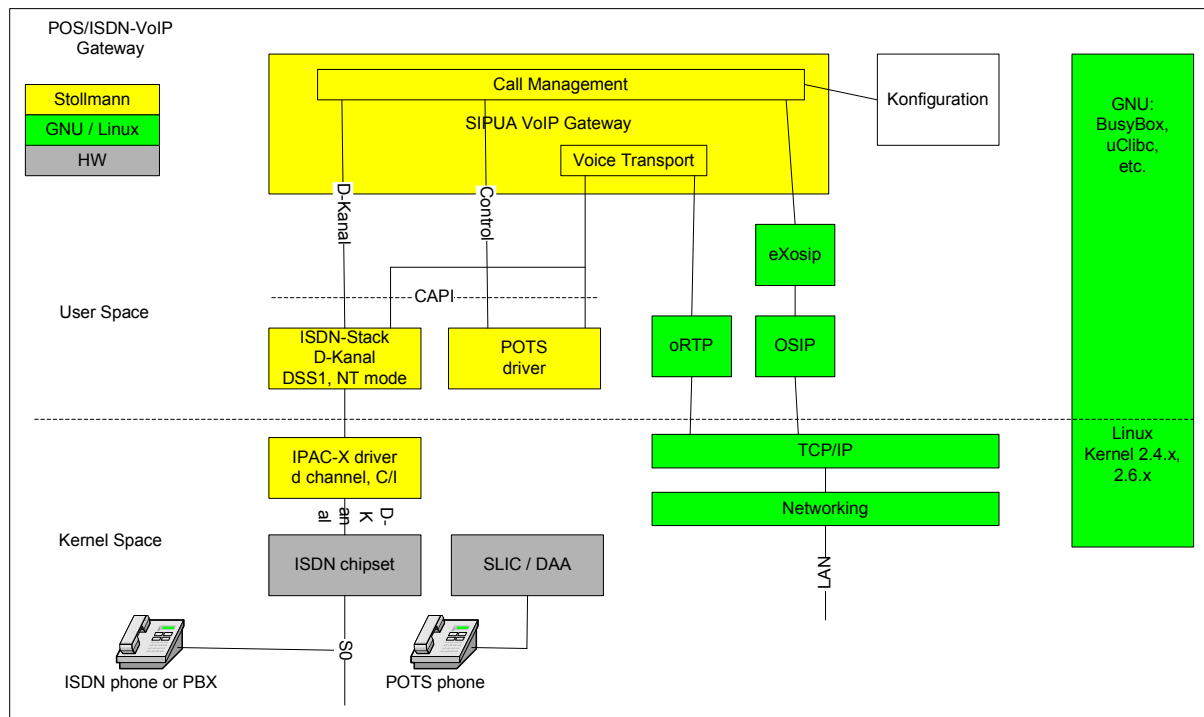
The integration task will use standard interfaces and adapts to your TCP/IP protocol stack.

Interfacing ISDN and POTS uses the well defined CAPI 2.0. We can adapt or develop the driver to your hardware system, as an alternative the drivers of your system can be used with a minimum of adaptation.

### Supplementary services ISDN and POTS

A wide range of supplementary service are already supported for POTS and ISDN:

CLIP, CLIR	Calling line identification presentation, restriction
MSN, DDI	Multiple subscriber number, Direct Dialing In (ISDN only)
CW	Call waiting
HOLD	Call hold
ECT	Explicit call transfer
3PTY	Three-party conference
CFU, CFB, CFNR	Call forwarding
CD	Call deflection
MWI	Message waiting indication (ISDN only)
Data 64 kbit/s	Transparent data connections (ISDN only)



## Stollmann's offer

- Consultation for system design in hardware and software
- Delivery of prepared software modules
- POTS driver
- ISDN driver and protocol stack
- SIPUA for call control and SIP stack
- Hardware reference designs including validated schematics and layout documentation
- POTS interfacing FXS and FXO
- ISDN function blocks
- Porting and integration of software and hardware modules
- Support of test scenarios for functional and performance tests

## Stollmann Entwicklungs- und Vertriebs-GmbH

Mendelssohnstraße 15 D  
22761 Hamburg  
Germany

Phone: +49 (0)40 89 08 8-0  
Telefax: +49 (0)40 89 08 8-4 44  
E-mail: [info@stollmann.de](mailto:info@stollmann.de)  
[www.stollmann.de](http://www.stollmann.de)

